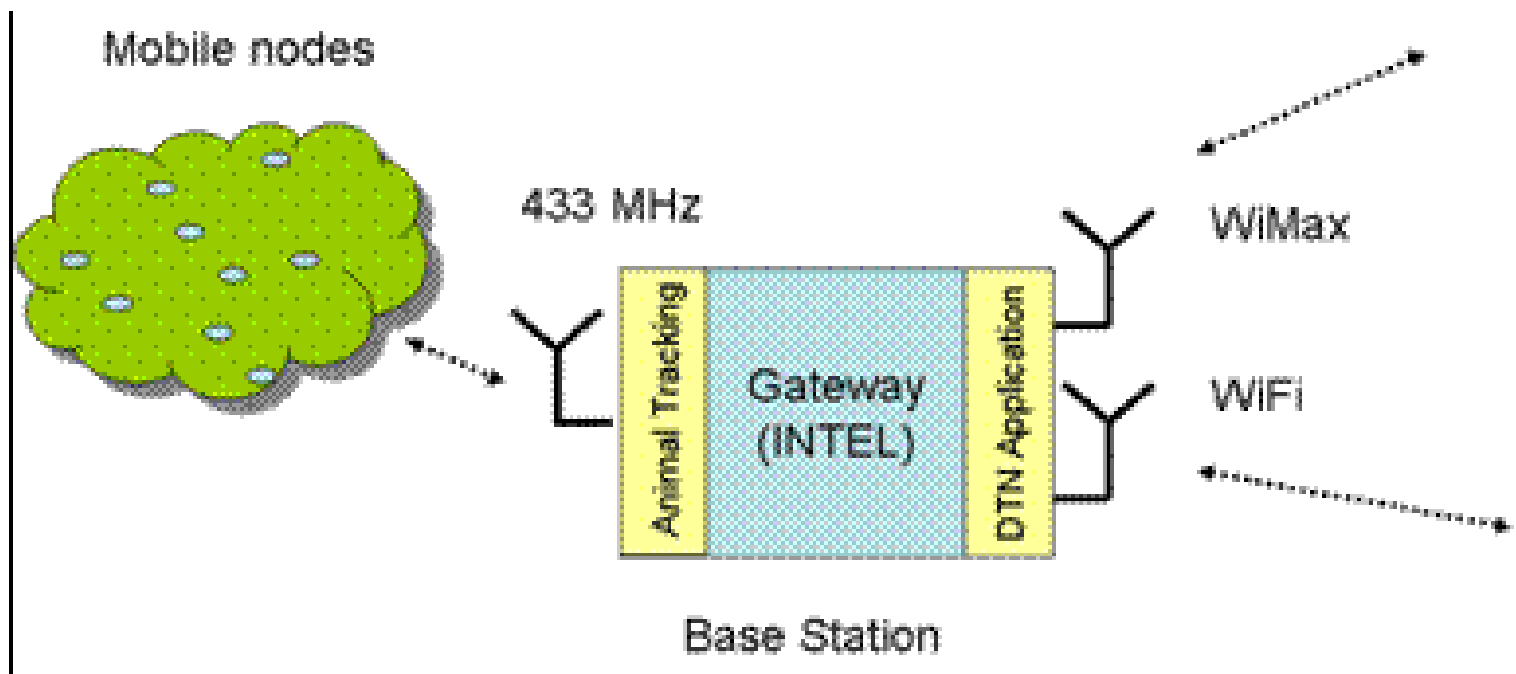


Progress Update for Integration Meeting Coimbra 2008

Shane Brodie
Kerry Hartnett

Positioning (Not Marketing)



Progress

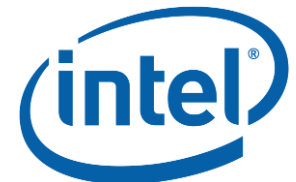
- Started documenting use cases around email, web usage both static and interactive to help identify issues and potential solutions to these use cases. Also started work on Network management use cases to help understand how we will manage the DTN network. rev 1 of application use cases and network management use cases.
- Acquired small form factor board from Intel to help with next stage of testing Atom processor and potential architecture. Completed initial testing on SFF board. 2nd Atom based system in place and part of test network
- Completed Product Requirement Document rev1 and rev 1 design for platform. Identified a producer of a board that meet our requirements and order three of these from Eurotech. Board called Proteus. Power bench in place and initial power utilisation tests completed on SFF board. 3 boards on order for initial testing of summer design. PRD document in draft rev 1



N4C Router PRD

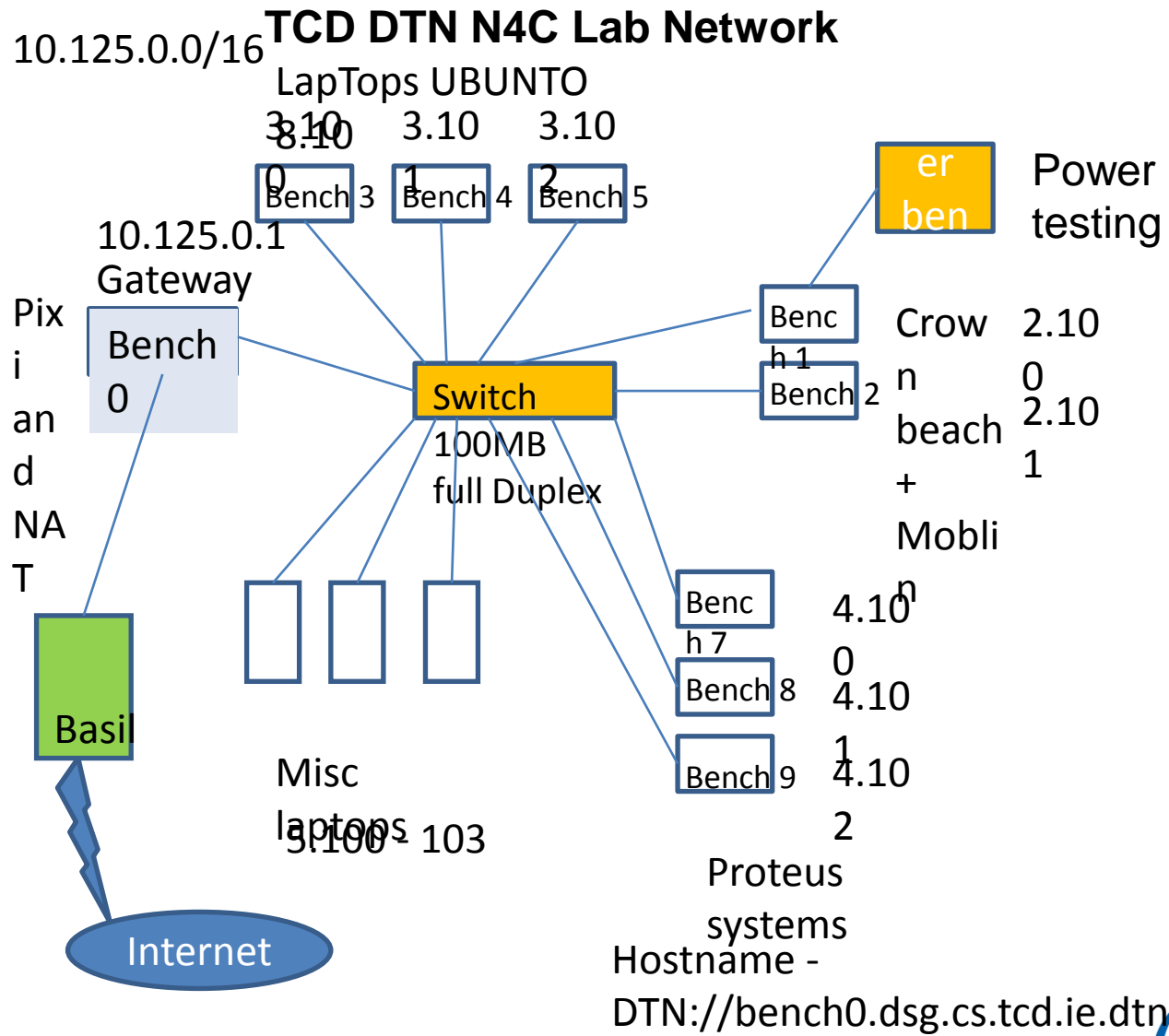


Intel Identified Use Cases



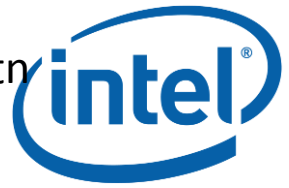
Main Interactions

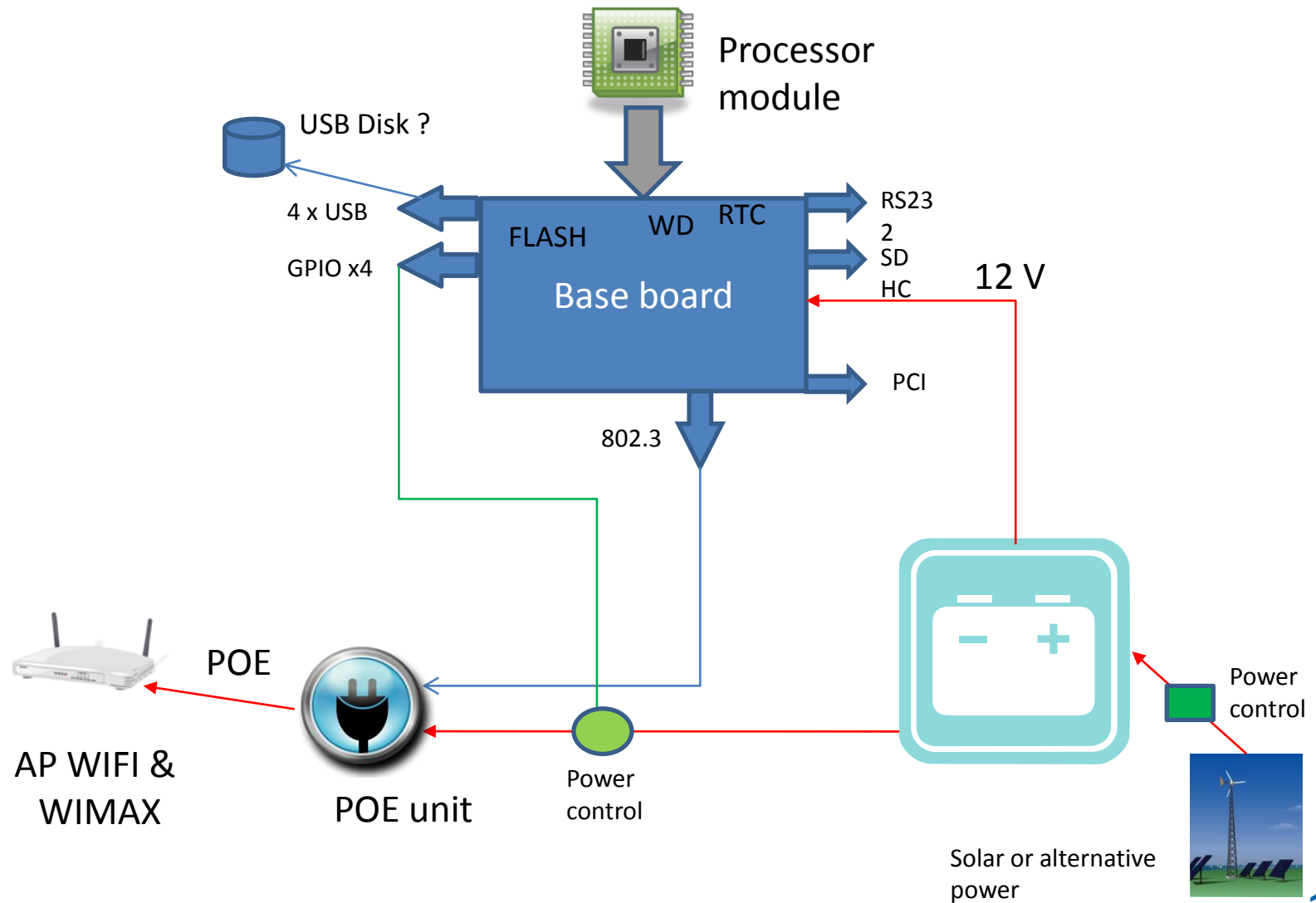
- DTN and Routing
 - Bundling and Debundling or by the application ?
 - End point Gateway
 - Internet Gateway
- File Handling
- Resource Management
- Device Management



Basic

Internet





Processor
on board

